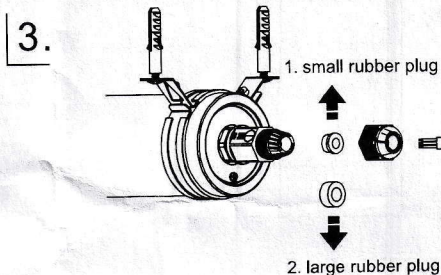
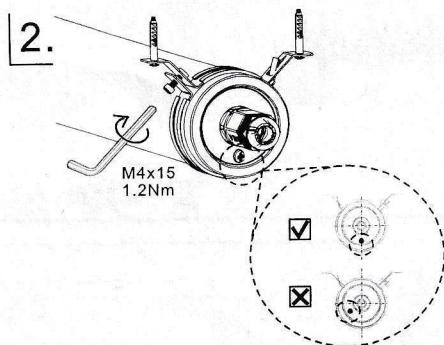
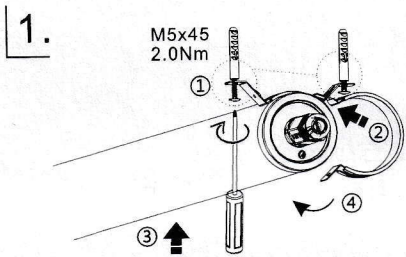


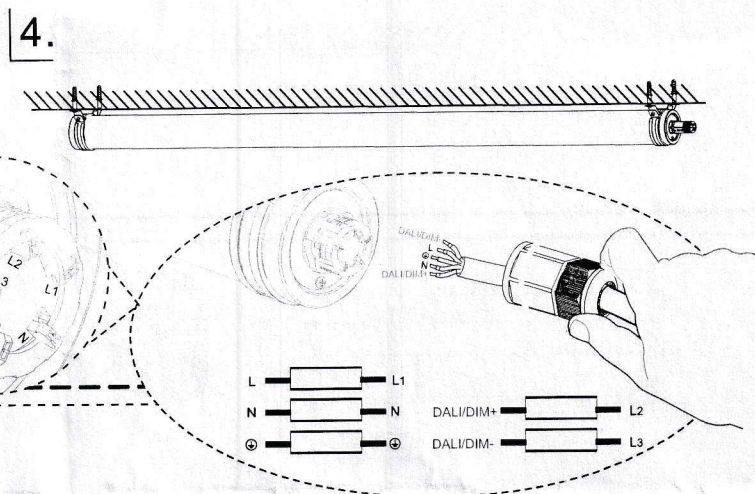
# LED Tubular Light

## Instruction Manual

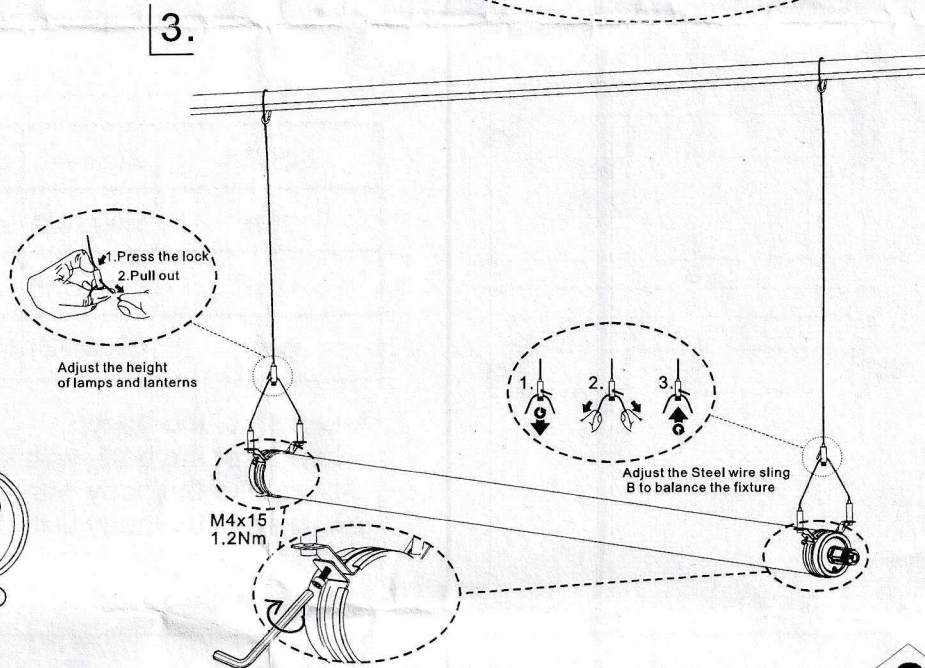
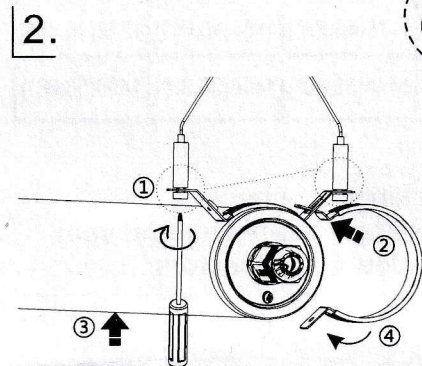
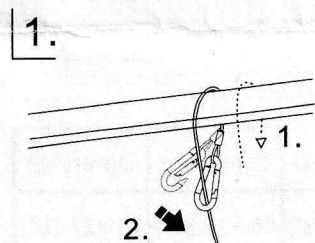
### A. Ceiling mounting



When the outer diameter of the power cord is 5-7.5mm, use small rubber plug with waterproof connector; When the outer diameter of the power cord is 7.5-10mm, use a large rubber plug with waterproof connector.



### B. Suspension mounting



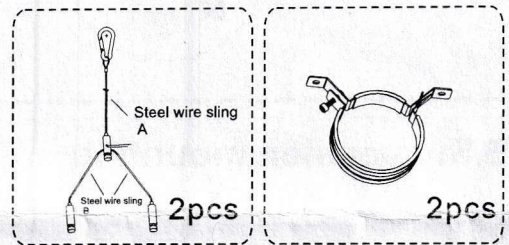
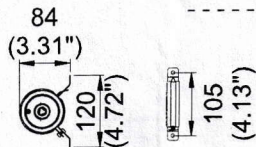
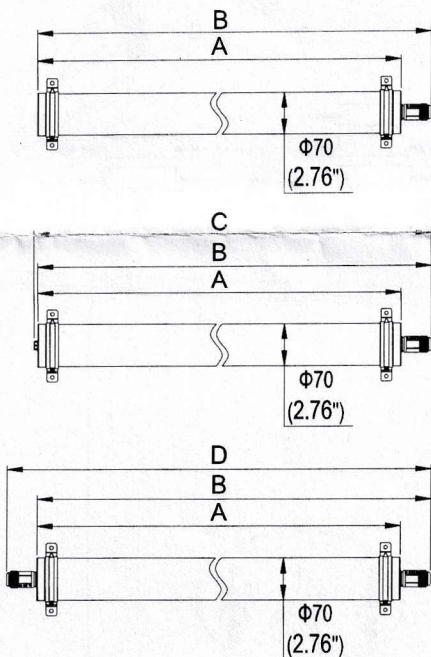
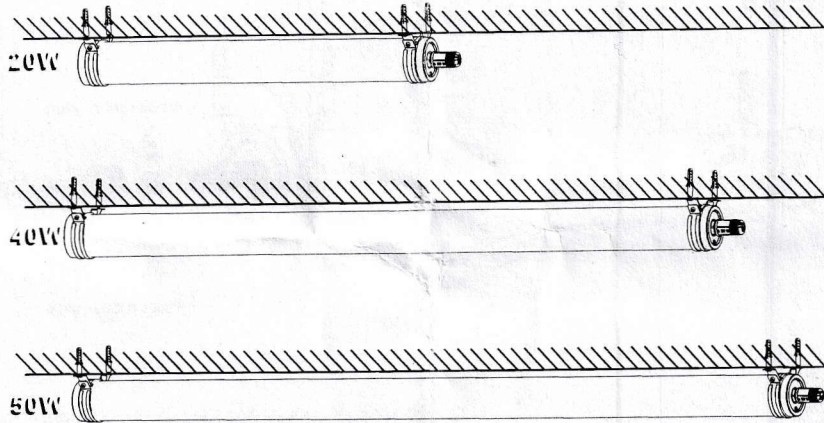
2

•if the external flexible cable or cord of this luminaire is damaged, it shall be exclusively replaced by the manufacturer or his service agent or a similar qualified person in order to avoid a hazard.

3

# LED Tubular Light

## Instruction Manual



POWER	A(mm/in)	B(mm/in)	C(mm/in)	D(mm/in)
20W	600(23.62")	650(25.59")	656(25.83")	700(27.56")
40W	1128(44.41")	1178(46.38")	1184(46.61")	1228(48.35")
50W	1390(54.72")	1440(56.69")	1446(56.93")	1490(58.66")

A-Length of the body;  
 B-Length of the body with single connector;  
 C-Length of the body with single connector and vent;  
 D-Length of the body with double connectors.

Product Specifications	20W	40W	50W
Weight (Driver included)	2.43±0.44Lbs (1.10±0.2kg)	3.57±0.44Lbs (1.62±0.2kg)	4.32±0.44Lbs (1.96±0.2kg)
Input Voltage	100-277 VAC / 220-240 VAC		